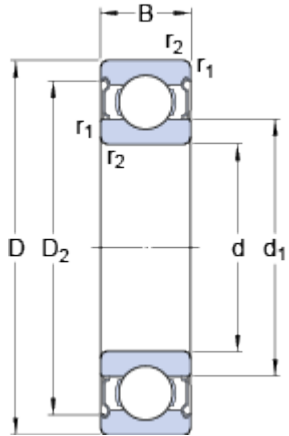


608-2Z

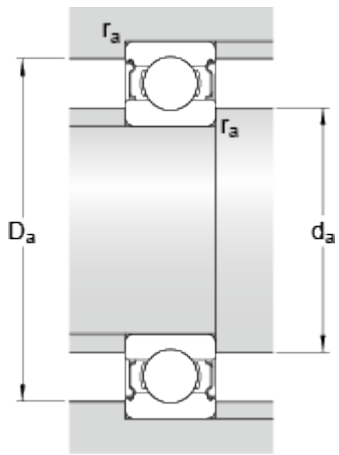
SKF Explorer

Dimensions



d	8	mm
D	22	mm
B	7	mm
d ₁	≈ 12.1	mm
D ₂	≈ 19.2	mm

Abutment dimensions



d _a	min.	10	mm
d _a	max.	12	mm
D _a	max.	20	mm
r _a	max.	0.3	mm

Calculation data

Basic dynamic load rating	C	3.4	kN
Basic static load rating	C ₀	1.3	kN
Fatigue load limit	P _u	0.05	kN
Reference speed		75000	r/min
Limiting speed		38000	r/min
Calculation factor	k _r	0.025	
Calculation factor	f ₀	12	

Mass

Mass bearing		0.0125	kg
--------------	--	--------	----